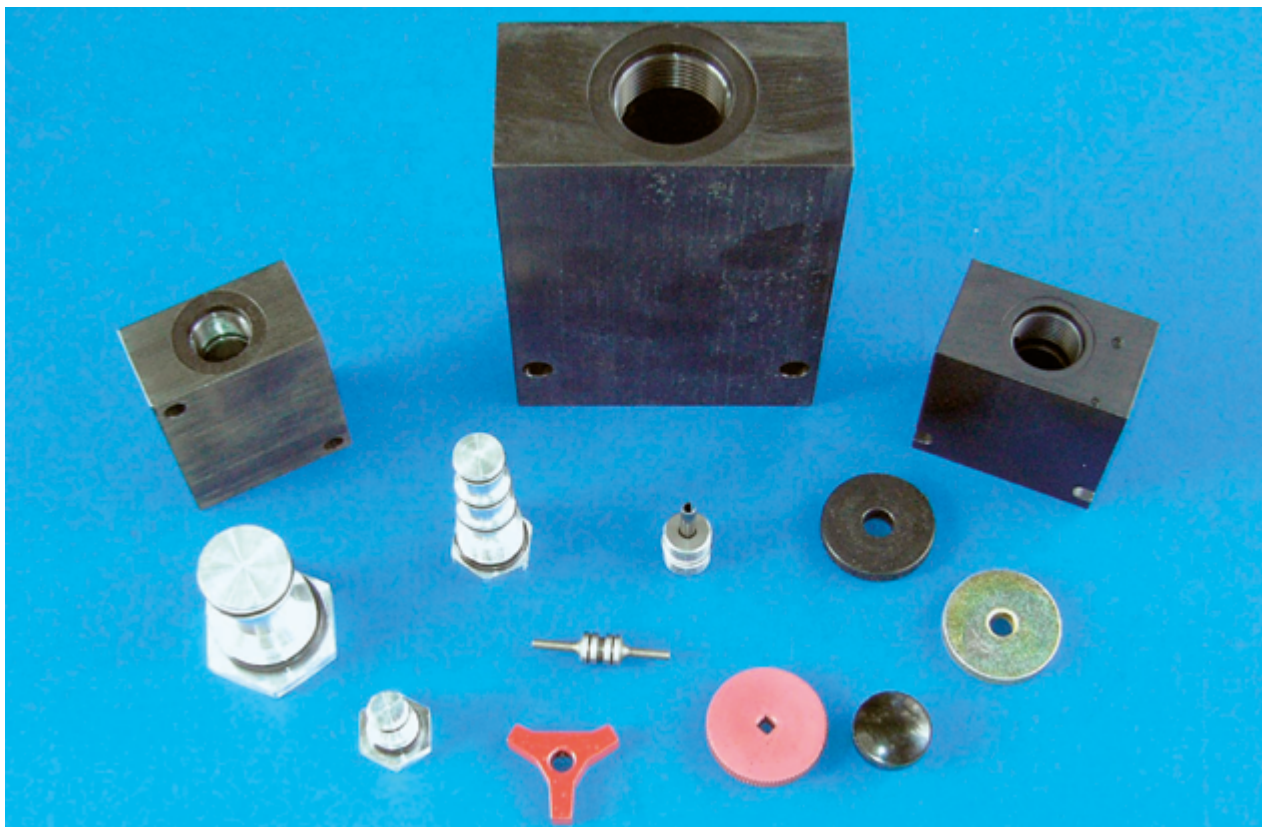


ACCESSORIES



Section / Description	page
<b>VALVE BODIES</b> .....	AC2
<b>CAVITY PLUGS</b> .....	AC6
<b>PILOT PISTON ASSEMBLIES</b> .....	AC11
<b>MANUAL OVERRIDE OPTIONS</b> .....	AC12

W7 / 2017

**WARNING:** the specifications/application data shown in our catalogs and data sheets are intended only as a general guide for the product described (herein). Any specific application should not be undertaken without independent study, evaluation, and testing for suitability.



4484 Boeing Drive Rockford, IL 61109 • USA • Phone +1 (815) 397-6628 • Fax +1 (815) 397-2526  
 mail: delta@delta-power.com • [www.delta-power.com](http://www.delta-power.com)



Via Malavolti, 36 • 41122 Modena • ITALY • Phone +39 (059) 254895 • Fax +39 (059) 253512  
 mail: tecnord@tecnord.com • [www.tecnord.com](http://www.tecnord.com)

## VALVE BODIES - TECNORD

STANDARD BODIES (ALUMINIUM)									
	PORT SIZE	P/N	STYLE / SIZE	DIMENSIONS					
				A	B	C	D	E	F
	1/4 BSP	13.1011.001	2W-5/8	30	50	50	25	42	34
	#6SAE	13.1011.141	2W-5/8	30	50	50	25	42	34
	1/4 BSP	13.1011.002	3W-5/8	30	50	60	25	52	34
	#6SAE	13.1011.142	3W-5/8	30	50	60	25	52	34
	1/4 BSP	13.1011.003	4W-5/8	30	60	70	30	62	44
	#6SAE	13.1011.143	4W-5/8	30	60	70	30	62	44
	1/4 BSP	13.1011.124	2W-3/4	30	50	50	23	42	34
	3/8 BSP	13.1011.125	2W-3/4	30	50	50	23	42	34
	#6 SAE	13.1011.144	2W-3/4	30	50	50	23	42	34
	1/4 BSP	13.1011.126	3W-3/4	30	60	70	30	52	44
	3/8 BSP	13.1011.127	3W-3/4	30	60	70	30	52	44
	#6 SAE	13.1011.145	3W-3/4	30	60	70	30	52	44
	1/4 BSP	13.1011.128	4W-3/4	30	60	80	30	72	44
	3/8 BSP	13.1011.129	4W-3/4	30	60	80	30	72	44
	#6 SAE	13.1011.146	4W-3/4	30	60	80	30	72	44
	3/8 BSP	13.1011.116	2W-7/8	30	60	60	25	52	44
	1/2 BSP	13.1011.115	2W-7/8	30	60	60	25	52	44
	#8 SAE	13.1011.147	2W-7/8	30	60	60	25	52	44
	3/8 BSP	13.1011.118	3W-7/8	30	60	70	30	62	44
	#6 SAE	13.1011.148	3W-7/8	30	60	70	30	62	44
	3/8 BSP	13.1011.121	4W-7/8	30	60	85	30	77	44
	#6 SAE	13.1011.149	4W-7/8	30	60	85	30	77	44
	3/4 BSP	13.1011.130	2W-1 1/16	50	80	80	40	70	60
	#12 SAE	13.1011.138	2W-1 1/16	50	80	80	40	70	60
	3/4 BSP	13.1011.131	3W-1 1/16	50	80	100	40	80	60
	#12 SAE	13.1011.139	3W-1 1/16	50	80	100	40	80	60
	1/2 BSP	13.1011.132	4W-1 1/16	50	80	125	40	100	50
	#10 SAE	13.1011.140	4W-1 1/16	50	80	125	40	100	50
	3/4 BSP	13.1011.008	2W-1 5/16	50	80	80	34	60	60
	#12 SAE	13.1011.137	2W-1 5/16	50	80	80	34	60	60
	3/4 BSP	13.1011.153	3W-1 5/16	50	80	100	40	80	60
	3/4 BSP	13.1011.155	3W-1 5/16 SHORT	50	90	85	45	65	70
	#12 SAE	13.1011.154	3W-1 5/16	50	80	100	40	80	60

*The following bodies are for the slip-in style cartridges. Contact factory for price and availability*

	3/8 BSP	13.1011.042/A	3W-cavity 042	30	70	80	35	72	54
	1/4 BSP	13.1011.086	3W-cavity 043	40	60	50	30	40	40
	3/8 BSP	13.1011.133	3W-cavity 057	50	60	70	30	62	44
	#6 SAE	13.1011.136	3W-cavity 057	50	60	70	30	62	44
	3/8 BSP	13.1011.134	4W-cavity 058	50	60	85	30	77	44
	#6 SAE	13.1011.135	4W-cavity 058	50	60	85	30	77	44
	#8 SAE	13.1011.191	3W-cavity 059	50	90	80	45	73	76
	1/4 BSP	13.1011.080	3W-cavity 059	50	90	80	30	73	76

**WARNING:** the specifications/application data shown in our catalogs and data sheets are intended only as a general guide for the product described (herein). Any specific application should not be undertaken without independent study, evaluation, and testing for suitability.



4484 Boeing Drive Rockford, IL 61109 • USA • Phone +1 (815) 397-6628 • Fax +1 (815) 397-2526  
mail: delta@delta-power.com • www.delta-power.com

**TECNORD** •

Via Malavolti, 36 • 41122 Modena • ITALY • Phone +39 (059) 254895 • Fax +39 (059) 253512  
mail: tecnord@tecnord.com • www.tecnord.com

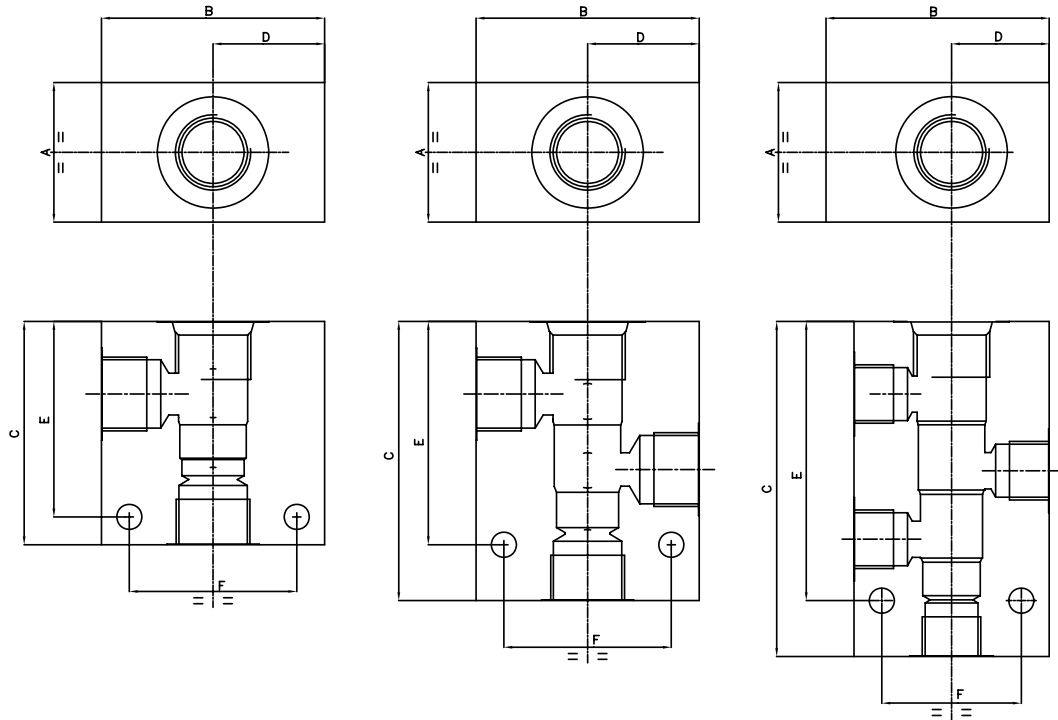
VALVE BODIES - TECNORD

2 ways

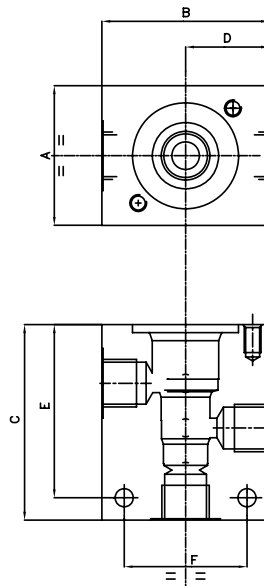
3 ways

4 ways

Standard



Special  
(for slip-in style cartridges)



W7 / 2017

**WARNING:** the specifications/application data shown in our catalogs and data sheets are intended only as a general guide for the product described (herein). Any specific application should not be undertaken without independent study, evaluation, and testing for suitability.



4484 Boeing Drive Rockford, IL 61109 • USA • Phone +1 (815) 397-6628 • Fax +1 (815) 397-2526  
mail: delta@delta-power.com • www.delta-power.com



Via Malavolti, 36 • 41122 Modena • ITALY • Phone +39 (059) 254895 • Fax +39 (059) 253512  
mail: tecnord@tecnord.com • www.tecnord.com

## STANDARD BODIES - DELTA

BODY	PORT SIZE	P/N	STYLE / SIZE	DIMENSIONS					
				A	B	C	D	E	F
AN	1/4 NPT	30102126	2W-5/8	1.25	2.0	1.5	1.0	1.0	1.5
AS	#6 SAE	30102346	2W-5/8	1.25	2.0	1.5	1.0	1.0	1.5
CN	1/4 NPT	30102097	3W-5/8	1.25	2.0	2.25	1.0	1.875	1.5
CS	#6SAE	30102373	3W-5/8	1.25	2.5	2.25	1.25	1.875	2.0
DN	1/4 NPT	30102110	4W-5/8	1.25	2.0	2.75	1.0	2.375	1.5
DS	#6SAE	30102288	4W-5/8	1.25	2.0	2.75	1.125	2.375	1.5
BN	1/4 NPT	30102127	2W-3/4	1.25	2.0	2.0	1.0	1.5	1.5
BS	#6SAE	30102466	2W-3/4	1.25	2.0	2.0	1.125	1.5	1.5
PN	1/4 NPT	30102534	3W-3/4	1.25	2.25	2.5	1.125	2.0	1.75
PS	#6SAE	30102533	3W-3/4	1.25	2.25	2.5	1.125	2.0	1.75
QN	1/4 NPT	30102536	4W-3/4	1.25	2.25	3.0	1.125	2.5	1.75
QS	#6SAE	30102535	4W-3/4	1.25	2.25	3.0	1.125	2.5	1.75
EN	3/8 NPT	30102006	2W-7/8	1.5	2.0	2.125	1.0	1.625	1.5
ES	#8 SAE	30102359	2W-7/8	1.5	2.0	2.0	1.25	1.5	1.75
FN	1/4 NPT	30102015	3W-7/8	1.5	2.0	2.5	1.0	1.5	1.5
FS	#6SAE	30102360	3W-7/8	1.5	2.5	2.5	1.25	2.125	2.25
GN	1/4 NPT	30102014	4W-7/8	1.5	2.0	3.25	1.0	2.125	1.5
GS	#6SAE	30102367	4W-7/8	1.5	2.5	3.25	1.25	2.875	2.25
TS	#12 SAE	30102813	2W-1 1/16	1.75	2.75	3.09	1.69	0.84	2.20
US	#10 SAE	30102815	3W-1 1/16	1.75	3.0	3.87	1.5	2.0	2.30
RS	#10 SAE	30102638	SHORT 3W-1 1/16	2.0	3.0	3.25	1.5	2.70	2.38
VS	#10 SAE	30102816	4W-1 1/16	1.75	3.0	4.75	1.5	3.0	2.30
JN	3/4 NPT	30102334	2W-1 5/16	2.0	3.0	3.0	1.875	2.25	2.438
JS	#12 SAE	301022331	2W-1 5/16	2.0	3.0	3.0	1.875	2.25	2.438
KS	#12 SAE	30102576	3W-1 5/16	2.0	4.0	4.0	2.0	3.125	3.38
LS	#12 SAE	30102575	SHORT 3W-1 5/16	2.0	3.5	3.5	1.875	2.75	2.88
NS	#12 SAE	30102577	4W-1 5/16	2.0	4.0	5.25	2.0	4.25	3.38
OS	#12 SAE	30102589	5W-1 5/16	2.0	4.0	5.75	2.0	4.75	3.38

The following bodies are for the slip-in style cartridges. Contact factory for price and availability

E1/2	1/2 NPT	30102336	2W-7/8	1.5	2.5	2.5	1.50	2.0	2.0
E#6	#6 SAE	30102364	2W-7/8	1.5	2.0	2.0	1.25	1.50	1.75
F3/8	3/8 NPT	30102370	3W-7/8	1.5	2.0	2.5	1.25	2.125	2.25
F#8	#8 SAE	30102354	3W-7/8	1.5	2.5	2.75	1.25	2.125	2.00
G#8	#8 SAE	30102362	4W-7/8	1.5	2.0	2.25	1.25	2.875	2.25
J14	#14 SAE	30102332	2W-1 5/16	2.0	3.0	3.0	1.875	2.25	2.438
J16	#16 SAE	30102333	2W-1 5/16	2.0	3.0	3.0	1.875	2.25	2.438

**WARNING:** the specifications/application data shown in our catalogs and data sheets are intended only as a general guide for the product described (herein). Any specific application should not be undertaken without independent study, evaluation, and testing for suitability.

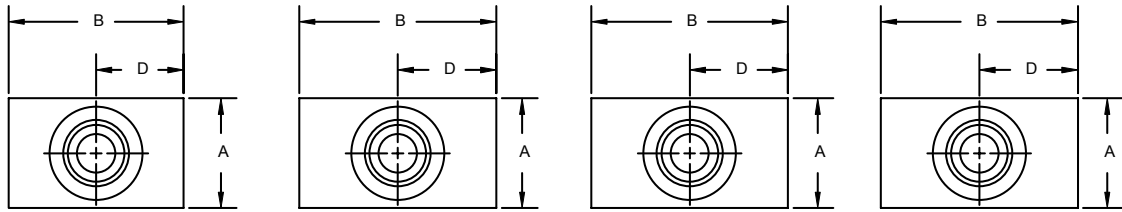


4484 Boeing Drive Rockford, IL 61109 • USA • Phone +1 (815) 397-6628 • Fax +1 (815) 397-2526  
mail: delta@delta-power.com • www.delta-power.com

**TECNORD**

Via Malavolti, 36 • 41122 Modena • ITALY • Phone +39 (059) 254895 • Fax +39 (059) 253512  
mail: tecnord@tecnord.com • www.tecnord.com

STANDARD BODIES

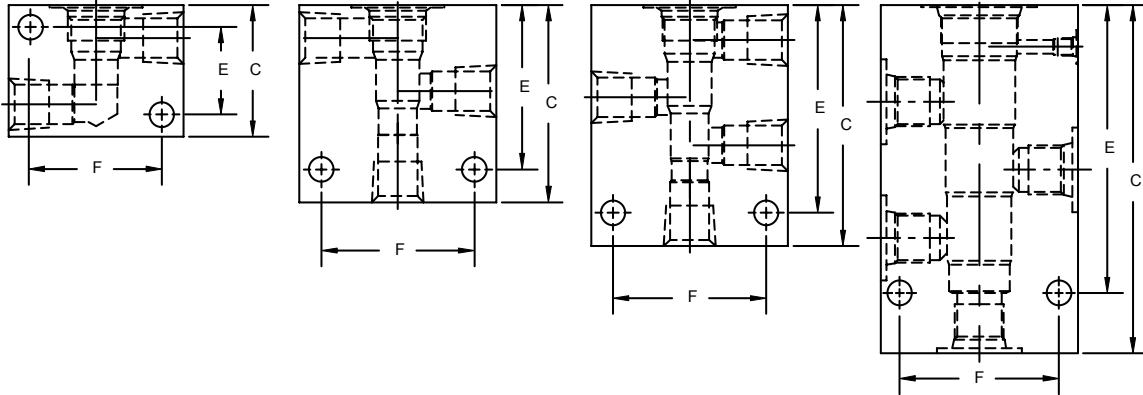


AN, AS, BN, BS

CN, CS, KS, LS, RS

DN - DS - NS

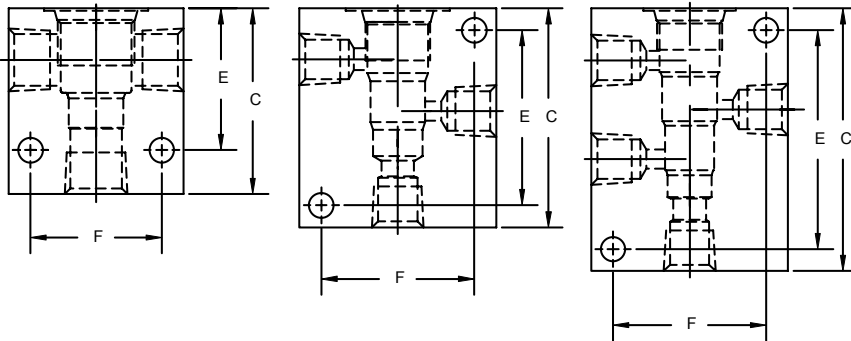
OS



EN, E1/2, E#6

PN, PS, FN, US

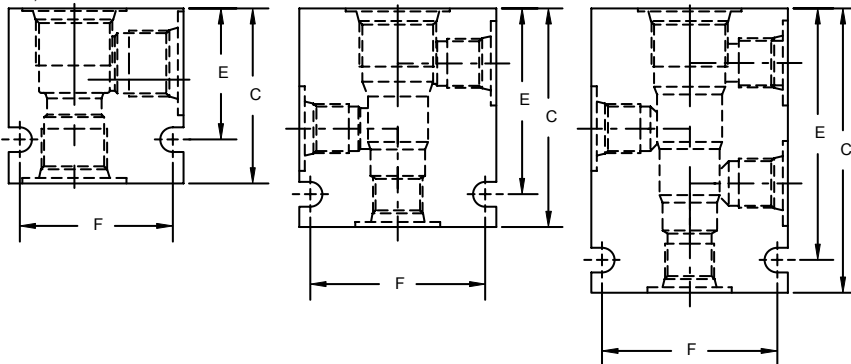
QN, QS, GN, VS, G#8



ES, JN, JS, TS,  
J14, J16

FS

GS



W7 / 2017

**WARNING:** the specifications/application data shown in our catalogs and data sheets are intended only as a general guide for the product described (herein). Any specific application should not be undertaken without independent study, evaluation, and testing for suitability.



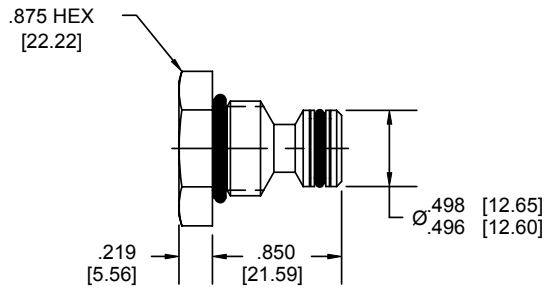
4484 Boeing Drive Rockford, IL 61109 • USA • Phone +1 (815) 397-6628 • Fax +1 (815) 397-2526  
mail: delta@delta-power.com • www.delta-power.com



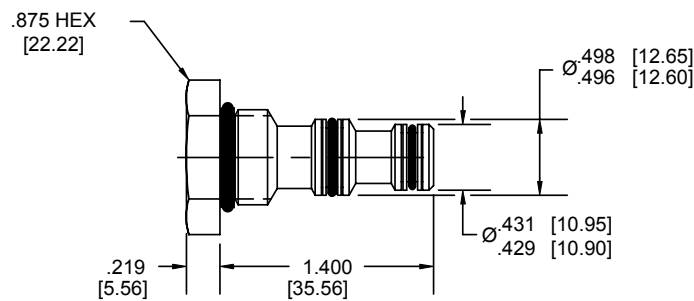
Via Malavolti, 36 • 41122 Modena • ITALY • Phone +39 (059) 254895 • Fax +39 (059) 253512  
mail: tecnord@tecnord.com • www.tecnord.com

MINI SERIES CAVITY PLUGS

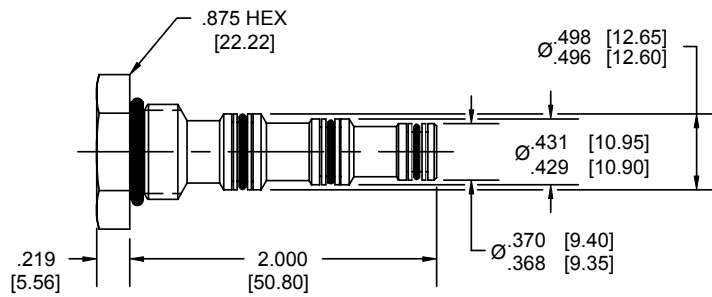
NOTE: dimensions in brackets are millimeters



2W 2P CAVITY PLUG  
MA SERIES



3W 2P CAVITY PLUG  
MC SERIES



4W 2P CAVITY PLUG  
MD SERIES

ORDERING INFORMATION

**Standard Model Number**

2 Way  
3 Way  
4 Way

**MA**  
**MC**  
**MD**

**00**  
**V0**

**Options**

Standard Buna  
Standard Viton

WARNING: the specifications/application data shown in our catalogs and data sheets are intended only as a general guide for the product described (herein). Any specific application should not be undertaken without independent study, evaluation, and testing for suitability.



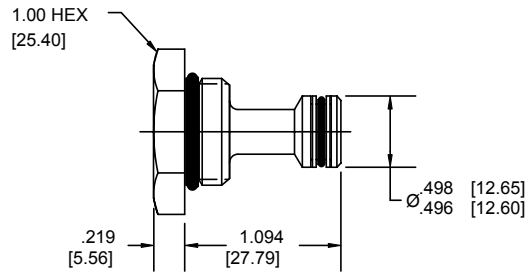
4484 Boeing Drive Rockford, IL 61109 • USA • Phone +1 (815) 397-6628 • Fax +1 (815) 397-2526  
mail: delta@delta-power.com • www.delta-power.com



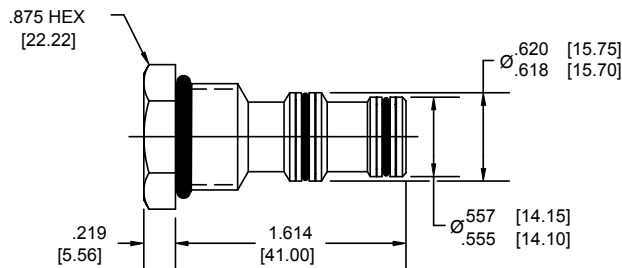
Via Malavolti, 36 • 41122 Modena • ITALY • Phone +39 (059) 254895 • Fax +39 (059) 253512  
mail: tecnord@tecnord.com • www.tecnord.com

**POWER SERIES CAVITY PLUGS**

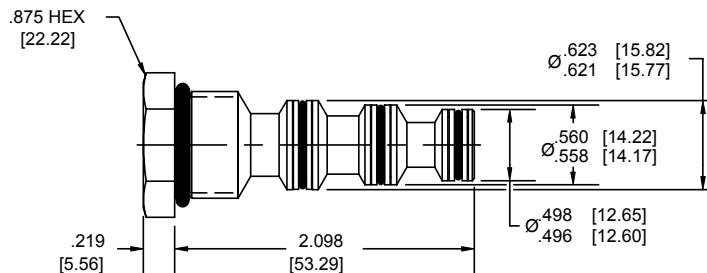
**NOTE: dimensions in brackets are millimeters**



2W 2P CAVITY PLUG  
PB SERIES



3W 2P CAVITY PLUG  
PP SERIES



4W 2P CAVITY PLUG  
PQ SERIES

**ORDERING INFORMATION**

**Standard Model Number**

2 Way  
3 Way  
4 Way

PB  
PP  
PQ

00  
V0

**Options**

Standard Buna  
Standard Viton

W7 / 2017

**WARNING:** the specifications/application data shown in our catalogs and data sheets are intended only as a general guide for the product described (herein). Any specific application should not be undertaken without independent study, evaluation, and testing for suitability.



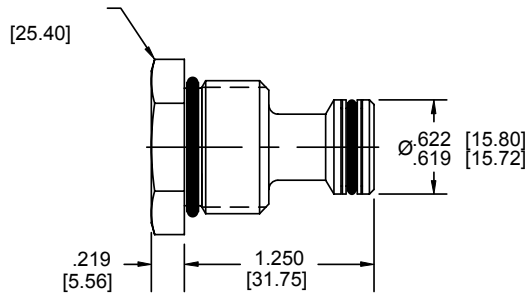
4484 Boeing Drive Rockford, IL 61109 • USA • Phone +1 (815) 397-6628 • Fax +1 (815) 397-2526  
mail: delta@delta-power.com • www.delta-power.com



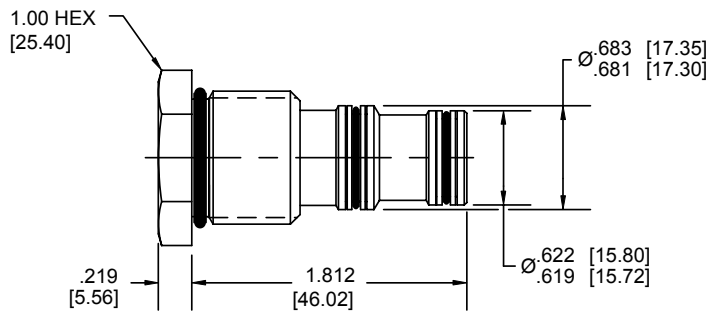
Via Malavolti, 36 • 41122 Modena • ITALY • Phone +39 (059) 254895 • Fax +39 (059) 253512  
mail: tecnord@tecnord.com • www.tecnord.com

DELTA SERIES CAVITY PLUGS

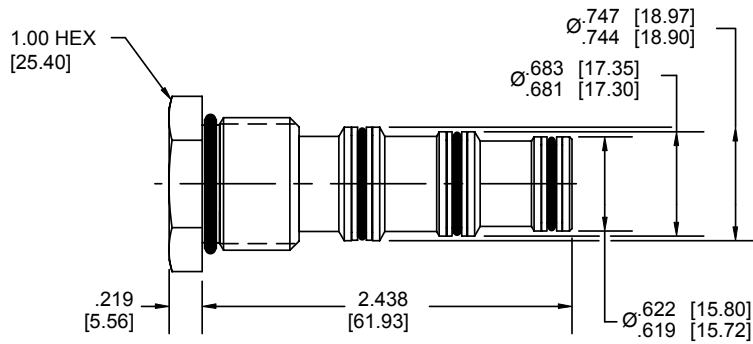
NOTE: dimensions in brackets are millimeters



2W 2P CAVITY PLUG  
DE SERIES



3W 2P CAVITY PLUG  
DF SERIES



4W 2P CAVITY PLUG  
DG SERIES

ORDERING INFORMATION

**Standard Model Number**

2 Way  
3 Way  
4 Way

DE  
DF  
DG

00  
V0

**Options**

Standard Buna  
Standard Viton

WARNING: the specifications/application data shown in our catalogs and data sheets are intended only as a general guide for the product described (herein). Any specific application should not be undertaken without independent study, evaluation, and testing for suitability.



4484 Boeing Drive Rockford, IL 61109 • USA • Phone +1 (815) 397-6628 • Fax +1 (815) 397-2526  
mail: delta@delta-power.com • www.delta-power.com

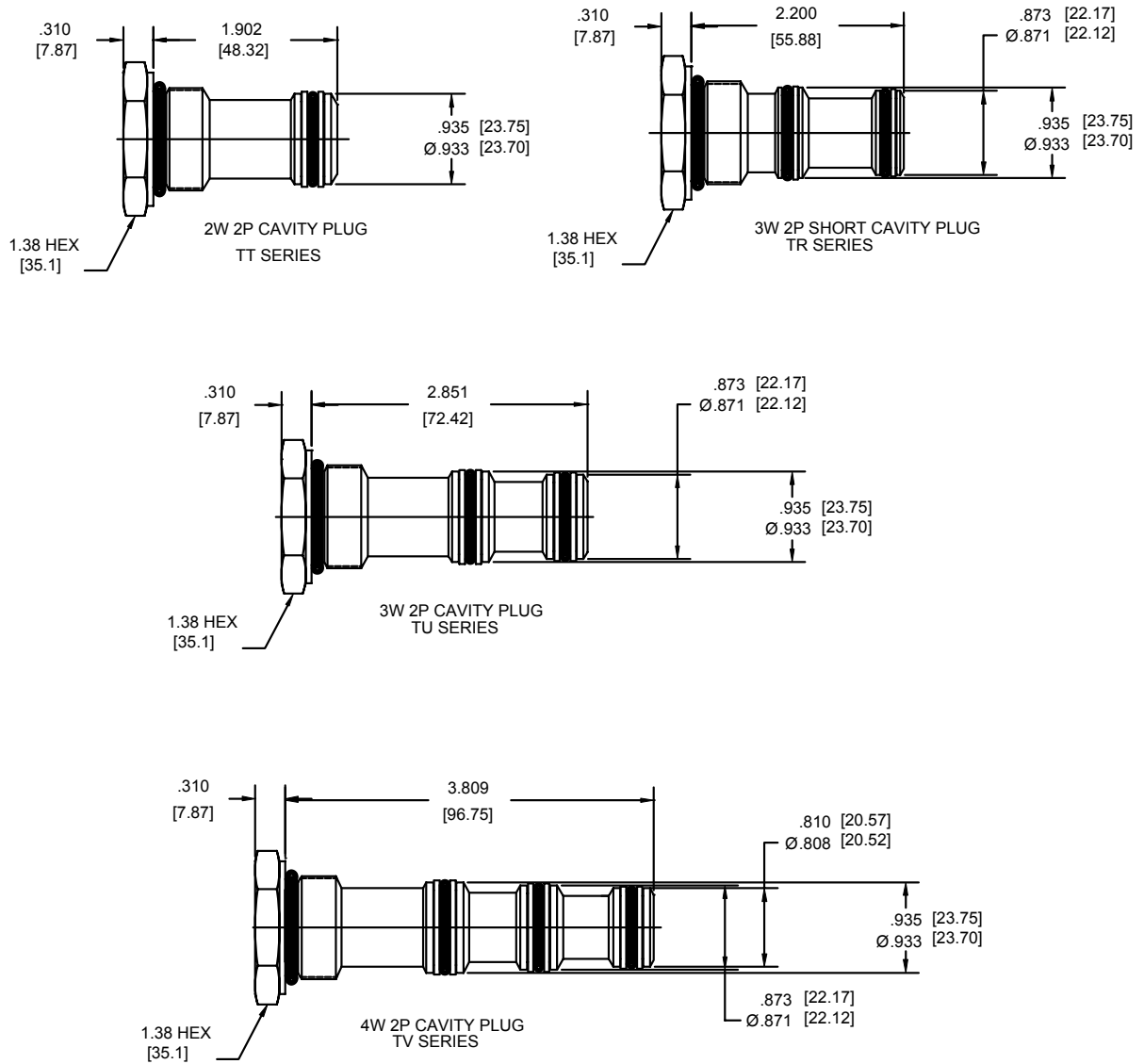


Via Malavolti, 36 • 41122 Modena • ITALY • Phone +39 (059) 254895 • Fax +39 (059) 253512  
mail: tecnord@tecnord.com • www.tecnord.com



**TECNORD SERIES CAVITY PLUGS**

**NOTE: dimensions in brackets are millimeters**



**ORDERING INFORMATION**

**Standard Model Number**

2 Way	TT	00
3 Way	TU	V0
3 Way Short	TR	
4 Way	TV	

**Options**

Standard Buna  
Standard Viton

W7 / 2017

**WARNING:** the specifications/application data shown in our catalogs and data sheets are intended only as a general guide for the product described (herein). Any specific application should not be undertaken without independent study, evaluation, and testing for suitability.



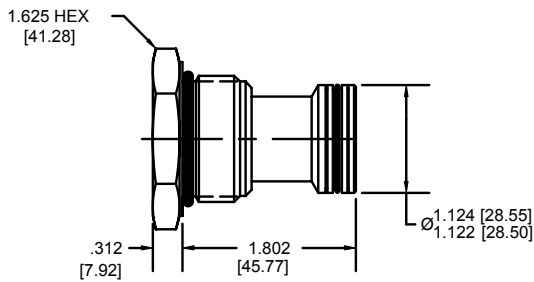
4484 Boeing Drive Rockford, IL 61109 • USA • Phone +1 (815) 397-6628 • Fax +1 (815) 397-2526  
mail: delta@delta-power.com • www.delta-power.com



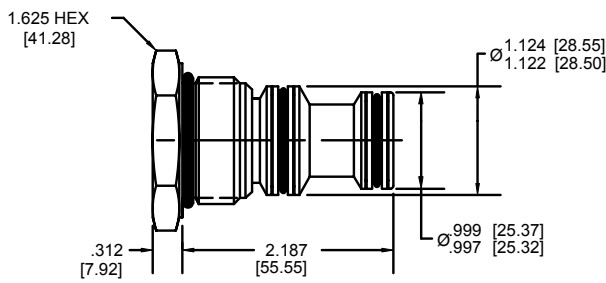
Via Malavolti, 36 • 41122 Modena • ITALY • Phone +39 (059) 254895 • Fax +39 (059) 253512  
mail: tecnord@tecnord.com • www.tecnord.com

**SUPER SERIES CAVITY PLUGS**

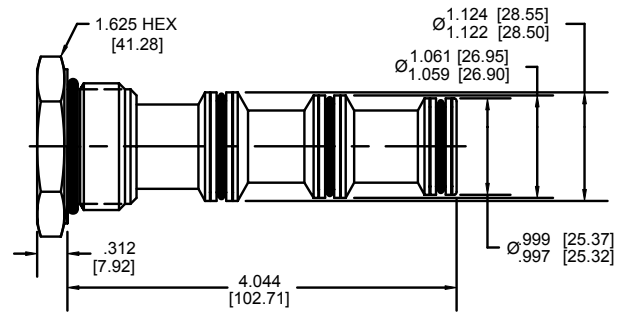
**NOTE: dimensions in brackets are millimeters**



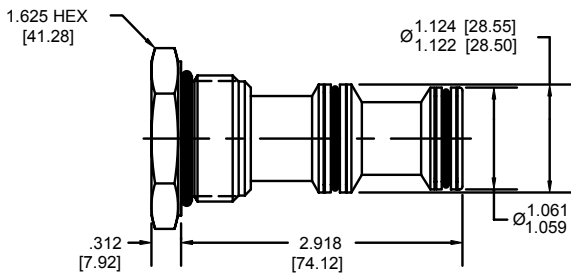
**2W 2P CAVITY PLUG  
SJ SERIES**



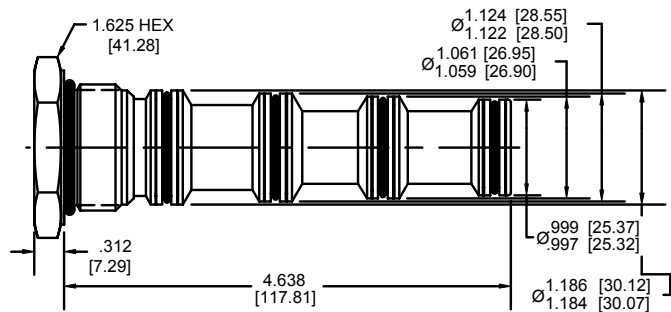
**3W 2P SHORT CAVITY PLUG  
SL SERIES**



**4W 2P CAVITY PLUG  
SM SERIES**



**3W 2P CAVITY PLUG  
SK SERIES**



**5W 2P SHORT CAVITY PLUG  
SO SERIES**

**ORDERING INFORMATION**

**Standard Model Number**

2 Way	<b>SJ</b>	<b>00</b>
3 Way Short	<b>SL</b>	<b>V0</b>
3 Way	<b>SK</b>	
4 Way	<b>SM</b>	
5 Way Short	<b>S0</b>	

**Options**

Standard Buna  
Standard Viton

**WARNING:** the specifications/application data shown in our catalogs and data sheets are intended only as a general guide for the product described (herein). Any specific application should not be undertaken without independent study, evaluation, and testing for suitability.



4484 Boeing Drive Rockford, IL 61109 • USA • Phone +1 (815) 397-6628 • Fax +1 (815) 397-2526  
mail: delta@delta-power.com • www.delta-power.com

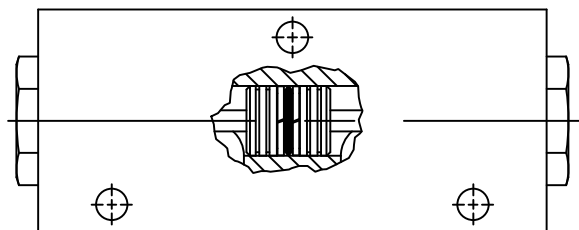


Via Malavolti, 36 • 41122 Modena • ITALY • Phone +39 (059) 254895 • Fax +39 (059) 253512  
mail: tecnord@tecnord.com • www.tecnord.com

**PILOT PISTON ASSEMBLIES**

**DESCRIPTION**

These pistons are used in a manifold to create pilot operated valve assemblies, such as pilot operated checks.



**FEATURES**

- O-rings on piston are optional.
- One piece design or pressed fit dowel pins
- Single or double pilot piston options.

**PISTON SPECIFICATIONS**

VALVE SERIES	VALVE SERIES	VALVE SERIES
MINI	.193	6.7:1
POWER	.250	4:1
DELTA	.312	4:1
SUPER	.590	3.7:1

<p><b>MINI SERIES</b></p>	<p><b>POWER SERIES</b></p>
<p><b>DELTA SERIES</b></p>	<p><b>SUPER SERIES</b></p>

CAVITY INFORMATION	SERIES	BORE DIAMETER	DOUBLE - SPOTFACE DIM.	SINGLE - SPOTFACE DIM.
		A	B	C
	MINI	.500/.502	3.313	2.031
	POWER	.500/.502	4.250	2.406
	DELTA	.625/.627	4.500	2.750
	SUPER	1.126/1.128	6.938	4.000

**ORDERING INFORMATION**

	<b>PISTON</b>		<b>SEALS</b>		<b>PILOT PIN OPTIONS</b>
MINI Series .500 DIA	<b>M</b>		<b>B</b> Buna		<b>S</b> Single
POWER Series .500 DIA	<b>P</b>		<b>V</b> Viton		<b>D</b> Double
DELTA Series .625 DIA	<b>D</b>		<b>O</b> Omit		
SUPER Series 1.12 DIA	<b>S</b>				

**WARNING:** the specifications/application data shown in our catalogs and data sheets are intended only as a general guide for the product described (herein). Any specific application should not be undertaken without independent study, evaluation, and testing for suitability.

W 7 / 2017



4484 Boeing Drive Rockford, IL 61109 • USA • Phone +1 (815) 397-6628 • Fax +1 (815) 397-2526  
 mail: delta@delta-power.com • www.delta-power.com



Via Malavolti, 36 • 41122 Modena • ITALY • Phone +39 (059) 254895 • Fax +39 (059) 253512  
 mail: tecnord@tecnord.com • www.tecnord.com

**MANUAL OVERRIDE OPTIONS - SOLENOID OPERATED VALVES**

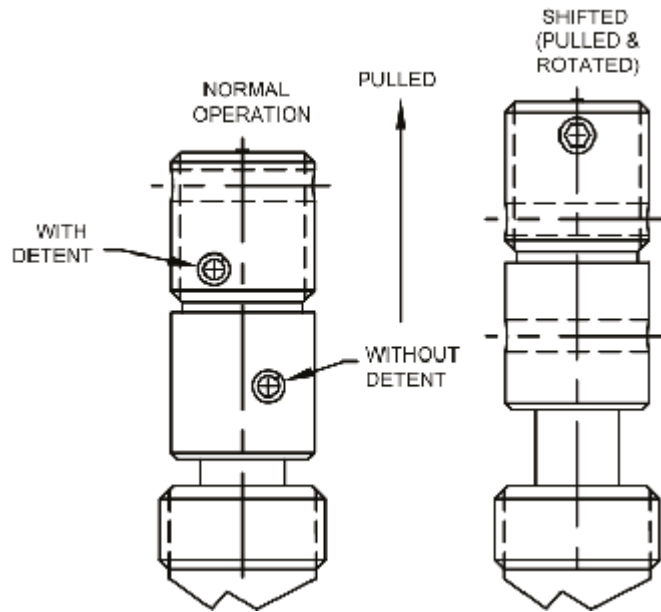
**PULL TYPE MANUAL OVERRIDE OPTION**

Pull Type Manual Override Option Standard override option for pull type solenoid valves.

This override is offered with or without the detent option.

With detent option, pull and rotate 180 degrees, when released the override will remain in that position. To return to the normal operating position, Rotate knob 180 degrees and release.

Without the detent option, knob must be pulled and held to maintain override position.



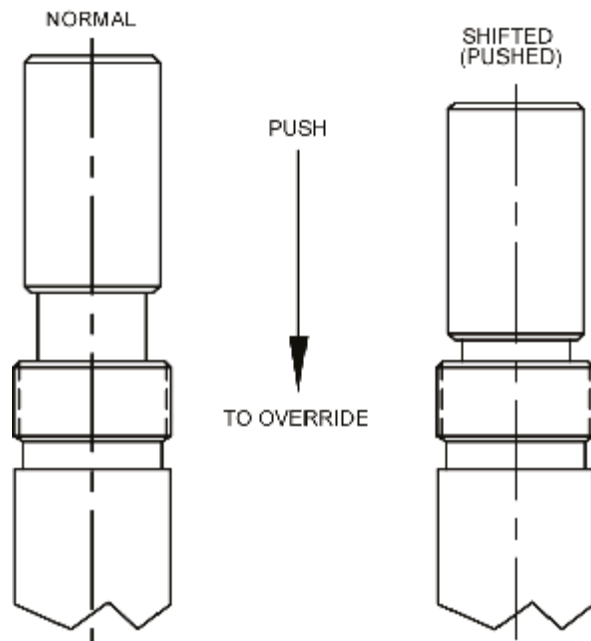
**PUSH TYPE MANUAL OVERRIDE OPTION**

Standard push type override option used for 4W3P valves.

To activate override option, push knob and Hold, when released, the valve returns to normal operation position.

Note: override option only functions in the push (S1 coil) direction.

This override option is intended for emergency use only and is not intended for continuous duty operation.



**WARNING:** the specifications/application data shown in our catalogs and data sheets are intended only as a general guide for the product described (herein). Any specific application should not be undertaken without independent study, evaluation, and testing for suitability.



4484 Boeing Drive Rockford, IL 61109 • USA • Phone +1 (815) 397-6628 • Fax +1 (815) 397-2526  
 mail: delta@delta-power.com • www.delta-power.com



Via Malavolti, 36 • 41122 Modena • ITALY • Phone +39 (059) 254895 • Fax +39 (059) 253512  
 mail: tecnord@tecnord.com • www.tecnord.com

## MANUAL OVERRIDE OPTIONS - SOLENOID OPERATED VALVES

### ROTARY TYPE MANUAL OVERRIDE OPTION

Standard rotary override option for normally open valves.

This override option is offered with or without a knob.

To activate override option, fully rotate using a flat tip screwdriver or the knob in a clockwise direction.

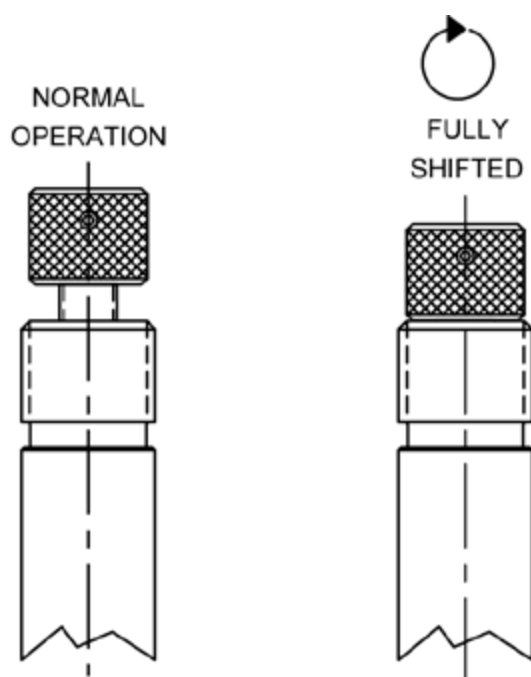
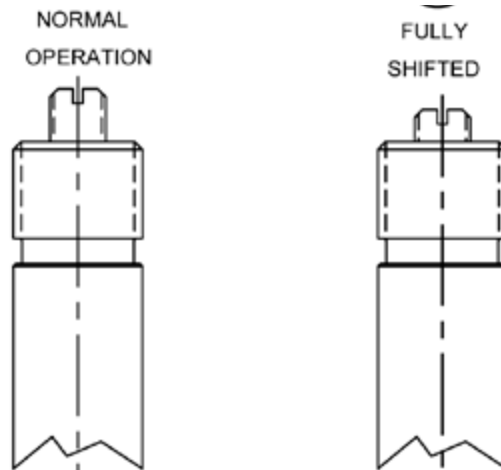
To de-activate override, fully rotate using a flat tip screwdriver or the knob in a counter clockwise direction.

Note: not rotating override fully in either direction will result in partial shifting of valve.

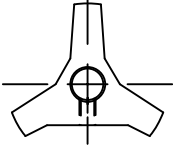
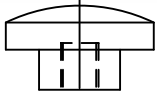
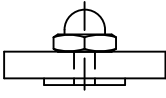
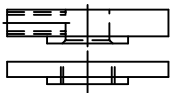
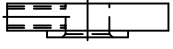
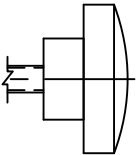
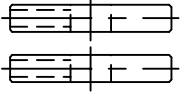
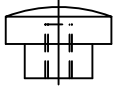
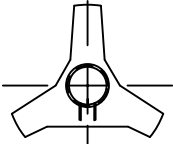
**WARNING:** Over torque of manual override could result in valve damage.

Note: rotary Pull Type Manual Override Option (Pull type Valves-Reference Models HB-S2A & HB-S2B).

Because HB-S2A & HB-S2B are Pull type Valves, “fully in” is the normal state and “fully out” is “fully shifted” state so opposite of what is shown in image.”



## MANUAL OVERRIDE OPTIONS - MECHANICAL VALVES

	22020047 34502032 66700059	<b>MINI SERIES</b>
	34502000	<b>DELTA SERIES</b>
	22020005 34502006 36202008	<b>DELTA SERIES</b>
	22020004 34502004 34502003 66700027	<b>DELTA SERIES</b>
	22020003 34502003 66700027	<b>DELTA SERIES</b>
	34502008	<b>DELTA SERIES</b>
	22020049 34502017 66700059	<b>DELTA SERIES SUPER SERIES</b>
	34502024	<b>POWER SERIES</b>
	22020058 34502019 66700059	<b>POWER SERIES</b>

**WARNING:** the specifications/application data shown in our catalogs and data sheets are intended only as a general guide for the product described (herein). Any specific application should not be undertaken without independent study, evaluation, and testing for suitability.



4484 Boeing Drive Rockford, IL 61109 • USA • Phone +1 (815) 397-6628 • Fax +1 (815) 397-2526  
mail: delta@delta-power.com • www.delta-power.com

**TECNORD**

Via Malavolti, 36 • 41122 Modena • ITALY • Phone +39 (059) 254895 • Fax +39 (059) 253512  
mail: tecnord@tecnord.com • www.tecnord.com